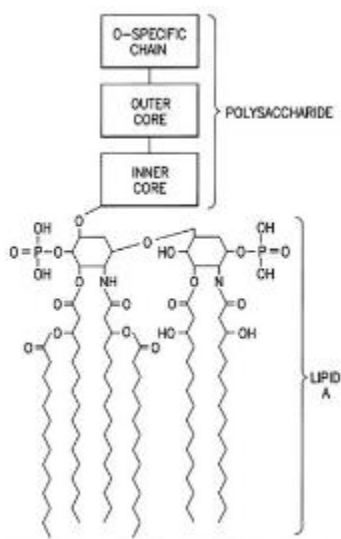


BSA Conjugated Lipopolysaccharide (LPS) Instruction Manual

SDPB519Ge11

Pan-species (General)

FORMULA



USAGE

Reconstitute in PBS (pH7.4) to a concentration of 0.1-1.0 mg/mL. Do not vortex.

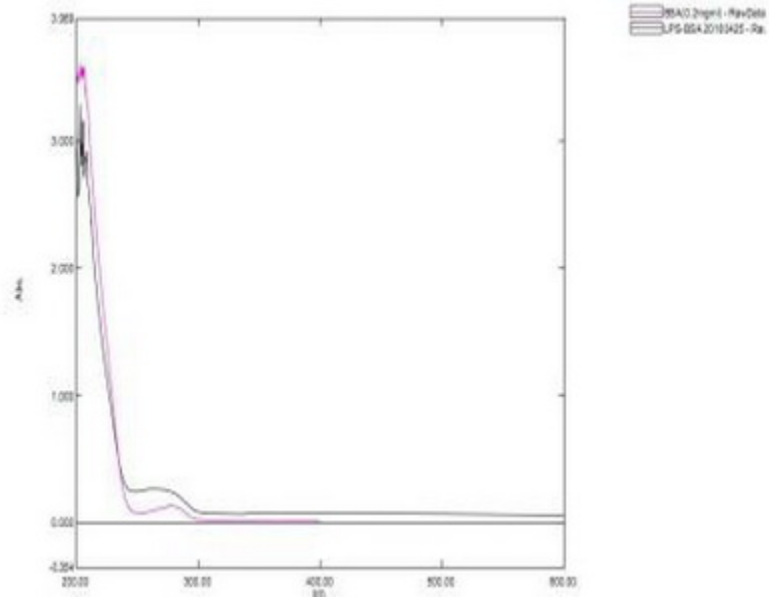
STORAGE

Avoid repeated freeze/thaw cycles. Store at 2-8°C for one month. Aliquot and store at -80°C for 12 months.

STABILITY

The thermal stability is described by the loss rate. The loss rate was determined by accelerated thermal degradation test, that is, incubate the protein at 37°C for 48h, and no obvious degradation and precipitation were observed. The loss rate is less than 5% within the expiration date under appropriate storage condition.

Image



SDS-PAGE Image

[IMPORTANT NOTE]

The kit is designed for research use only, we will not be responsible for any issue if the kit was used in clinical diagnostic or any other procedures.

Source	Protein Conjugation
Original Molecular Mass	n/a
Buffer Formulation	PBS, pH7.4.
Traits	Freeze-dried powder
Purity	> 90%
Isoelectric Point	n/a
Applications	Immunogen; SDS-PAGE; WB.